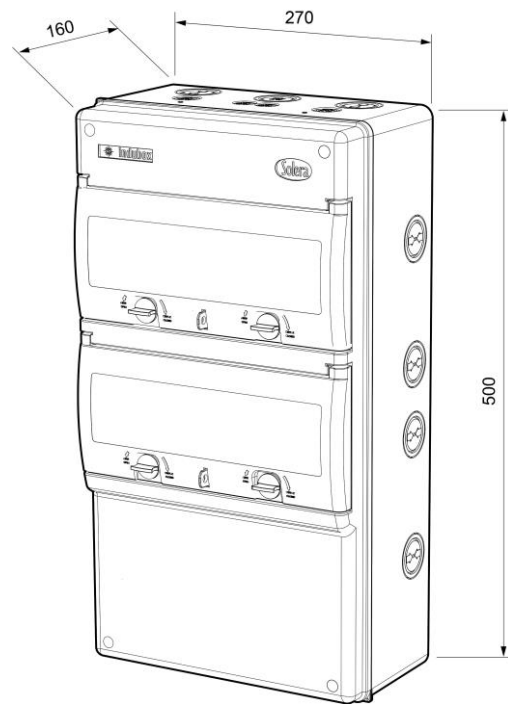







- 22 Modules Sealed Distribution Boxes. (11+11).
- For Surface Mount.
- Possibility of industrial sockets CE.
- Sealants
- Linkable
- With side precut
- With ultra fast fastening screws.
- Possibility of putting a lock with a metal key.
- Diversity of accessories

Dimensions (mm).



Specifications

- | | |
|---|---|
| <ul style="list-style-type: none"> • Directive 2014/35/UE  • Directive 2011/65/UE (RoHS) | <ul style="list-style-type: none"> • Applicable standard EN 62208
EN 61439-1 |
|---|---|

- | | |
|--|---|
| <ul style="list-style-type: none"> • Ingress Protection IP65 • Resistance to impact IK08 • Fire Resistance (Glow Wire Test 650°C) • Heat Resistance (Ball pressure test) 70°C • Class II insulation | <ul style="list-style-type: none"> • Dimensional stability -5°C to +85°C • Colour RAL 7035 • Halogen Free Material  • UV Resistant  |
|--|---|



ED01/ February 2017