

LED LIGHT BExBG L1D ATEX



The LED light is ideal for almost all mounting requirements: side, ceiling and floor mounting.


- Categories 2G (Zones 1 and 2), 2D (Zones 21 and 22).
- Large connection box for simple mounting.
- Also available with connection box in increased safety version.
- Very sturdy, manufactured from seawater-resistant aluminium and stainless steel protection cage.
- Can be mounted in all operating positions.
- A total of 9 different operating modes can be set.
- 2 additional operating modes can be controlled externally.



protection system

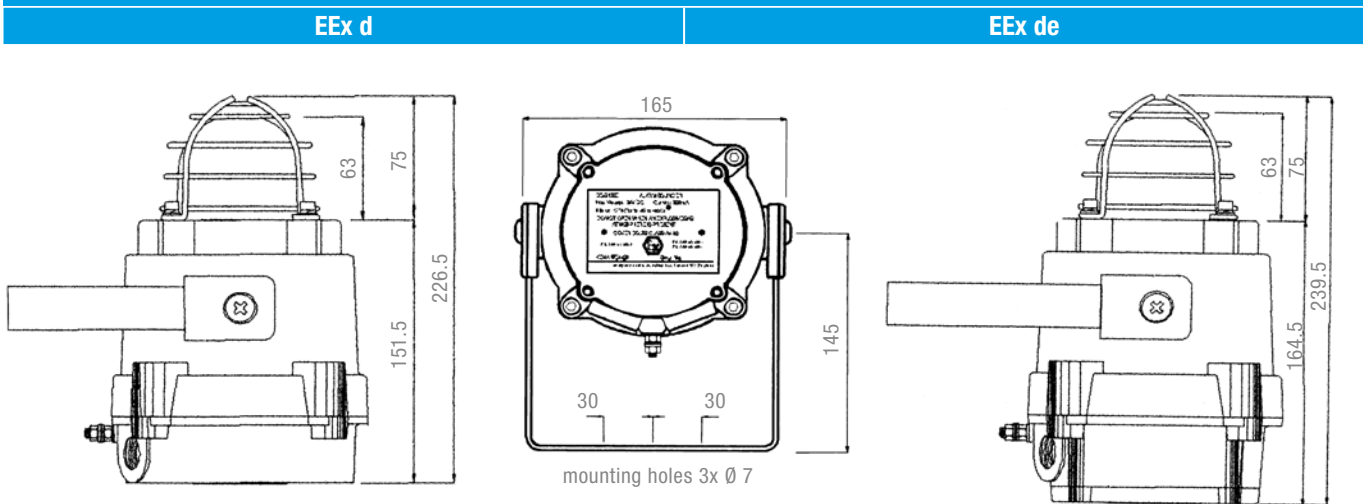


operating temperature

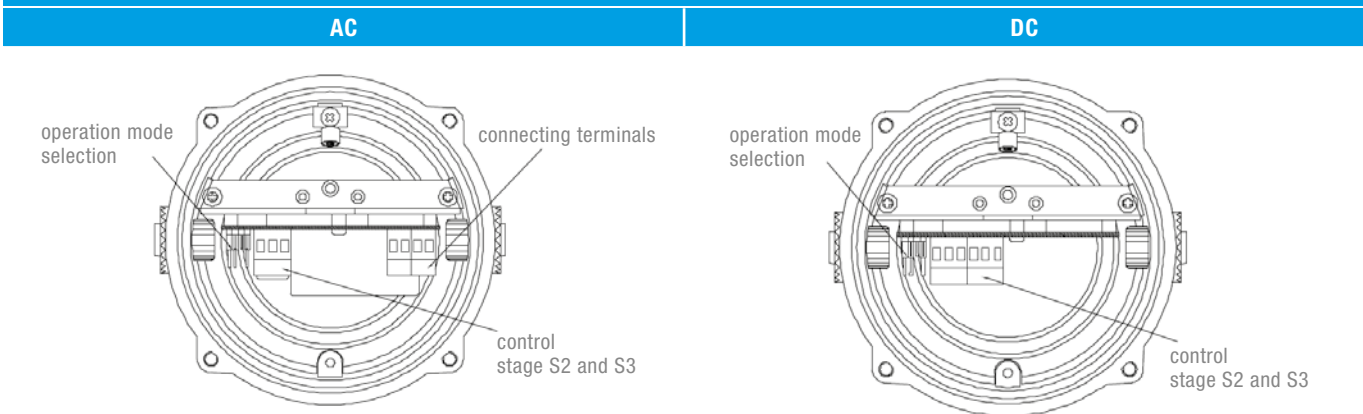
PRODUCT	BExBG L1D
Rated voltage	230 V AC 50 60 Hz
Operating range	±10 %
Nominal current consumption	70 mA
Type of protection	Ex d IP 67
Explosion protection ¹	II 2G EEx d IIC T4 or T5 II 2G EEx de IIC T4 or T5 II 2D T135°C or T100°C
Category (area of use)	2G (Zone 1, 2) 2D (Zone 21, 22)
Certificate of conformity	KEMA 01 ATEX 2006 X
Testing body	KEMA
Light source	32 LEDs
Temperature class T	T4 / T135°C @ Ta -50 °C ... +55 °C T5 / T100°C @ Ta -50 °C ... +40 °C
Storage temperature	-50 °C ... +70 °C
Relative humidity	90 %
Duty cycle	100 %
Service life of the light source	>50,000 hrs
Material	lens  glass
	housing die-cast aluminium, resistant to salt water, marine grade LM6, red (RAL 3000)
	protective cage and bracket stainless steel
Type of connection	1x 4 mm ² or 2x 2.5 mm ²
Cable entry ¹	2x M20, of which one open, optionally PG13.5 or 1/2" NPT
Weight	2.75 kg

¹ Ex cable gland not included

DIMENSIONS



CONNECTION DIAGRAM



OPERATING MODES

Mode	Internal			External			
	Stage 1	Stage 2	Stage 3	Modes	Stage 1	Stage 2	Stage 3
1	all on	9	8	6	double flash 1 Hz	9	1
2	rotation 3 LED fast "ON"	7	1	7	single flash 2 Hz	3	1
3	rotation 6 LED fast "ON"	8	1	8	double flash 2 Hz	3	1
4	rotation 3 LED slow "ON"	9	1	9	alternating flash 1:1 2 Hz	3	1
5	rotation 6 LED slow "ON"	6	1				

ARTICLE NO.	BExBG L1D
Lens colour	230 V AC
	31151104000

Article numbers for other colours and voltages on request.

MANUFACTURER'S DECLARATION

We hereby declare that the explosion-protected means of alarm with the type designation **BExBG L1D ATEX** has been developed and manufactured in accordance with section 5.1.2 of EN 50014.

This declaration is based on compliance with the following regulations and standards:

- 94/9/EG CE conformity
- EN 50014 Electrical equipment for areas at risk of explosions – General requirements
- EN 50018 Pressure-resistant encapsulation "d"
- EN 50019 Enhanced safety "e"
- EN 50281-1-1 Electrical equipment for use in areas with combustible dust
- EN 60529 Types of protection by enclosure (IP code)
- 89/336/EWG "Electromagnetic compatibility"

The **BExBG L1D ATEX LED light** is approved for use in potentially explosive areas in Zones 1, 2, 21 and 22 as per 94/9/EU.